

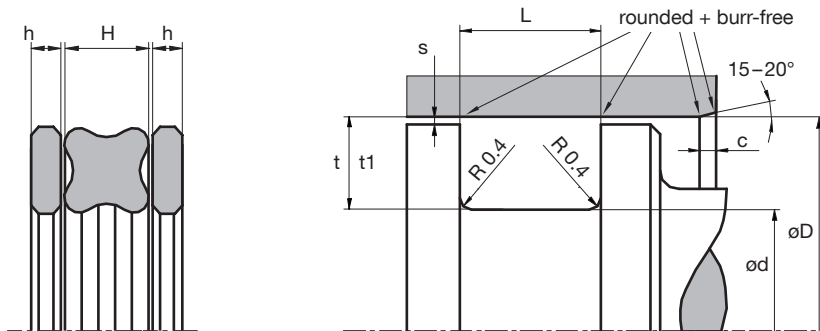


trygonal

Piston Seal TK37R

Hydraulics, double acting

Housing design

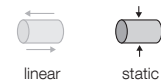


The dimensions $s + c$ are dependent on the respective seal type.

Design

- Use in static as well as dynamic sealing systems
- As O-ring replacement; twisting is prevented
- Use in radial and axial applications

Application



Brightened symbols:
Seal only for limited use.
Please contact us.

Surface finish

Roughness	Rtmax (μm)	Ra (μm)	Material portion
Sliding surface	$\leq 2,5$	0,1 – 0,5	Ratio contact area: 50 – 95% at a cutting depth of 0.5 x Rz starting from Cref = 0%
Groove base	$\leq 6,3$	$\leq 1,6$	
Groove flanks	≤ 15	≤ 3	

Standard dimensions

OD (AS 568A ¹) (mm)	OD (ISO 3601 ²) (mm)	t ³ (mm)	t ⁴ (mm)	L ⁵ (mm)	L ¹⁶ (mm)	L ²⁷ (mm)	R (mm)	h (mm)	c (mm)	s (mm)
2,62	2,65	2,25	2,35	3	4,4	5,8	0,3	1,4	3,5	0,08
3,53	3,55	3,1	3,21	4	5,4	6,8	0,4	1,4	4	0,08
5,33	5,3	4,75	4,89	6	7,7	9,4	0,4	1,7	5	0,10
6,99	7	6,2	6,40	8	10,5	13	0,6	2,5	6	0,10

¹American Standard ²DIN 3771 ³t static ⁴t1 dynamic ⁵L without Support ring ⁶L1 with Support ring ⁷L2 with 2 Support rings

Material and application parameters

Sealing element	Temperature (°C)	max. sliding speed (m/s)	max. pressure
NBR standard	-30 – +100	nur für static Anwend. empfohlen	50 bar (5 MPa)
FPM diet br	-50 – +150	nur für static Anwend. empfohlen	50 bar (5 MPa)
EPDM spring	-20 – +200	nur für static Anwend. empfohlen	50 bar (5 MPa)
HNBR diet	-25 – +150	nur für static Anwend. empfohlen	50 bar (5 MPa)
MVQ diet we	-60 – +200	nur für static Anwend. empfohlen	–
AFLAS [®] standard	-10 – +200	nur für static Anwend. empfohlen	50 bar (5 MPa)

The specified application parameters are generally valid values and must not be used simultaneously with the application. An order can be placed by specifying the profile type, material and specified housing design dimensions.

Our applied technical advice, either oral, written or through tests is given according to our best knowledge. However, this information is to be considered as non-obligatory instruction, also in terms of any protective rights of a third party, and does not exempt you from testing our product in reference to its suitability for the intended process and purpose. Utilisation, application and processing of the products occur entirely outside of our control and are therefore exclusively your responsibility. However, should a case of liability come into question, it will be limited to all damages in the value of the product which we delivered and you used. By all means, we do warrant the impeccable quality of our products in accordance with our general sales and delivery conditions.